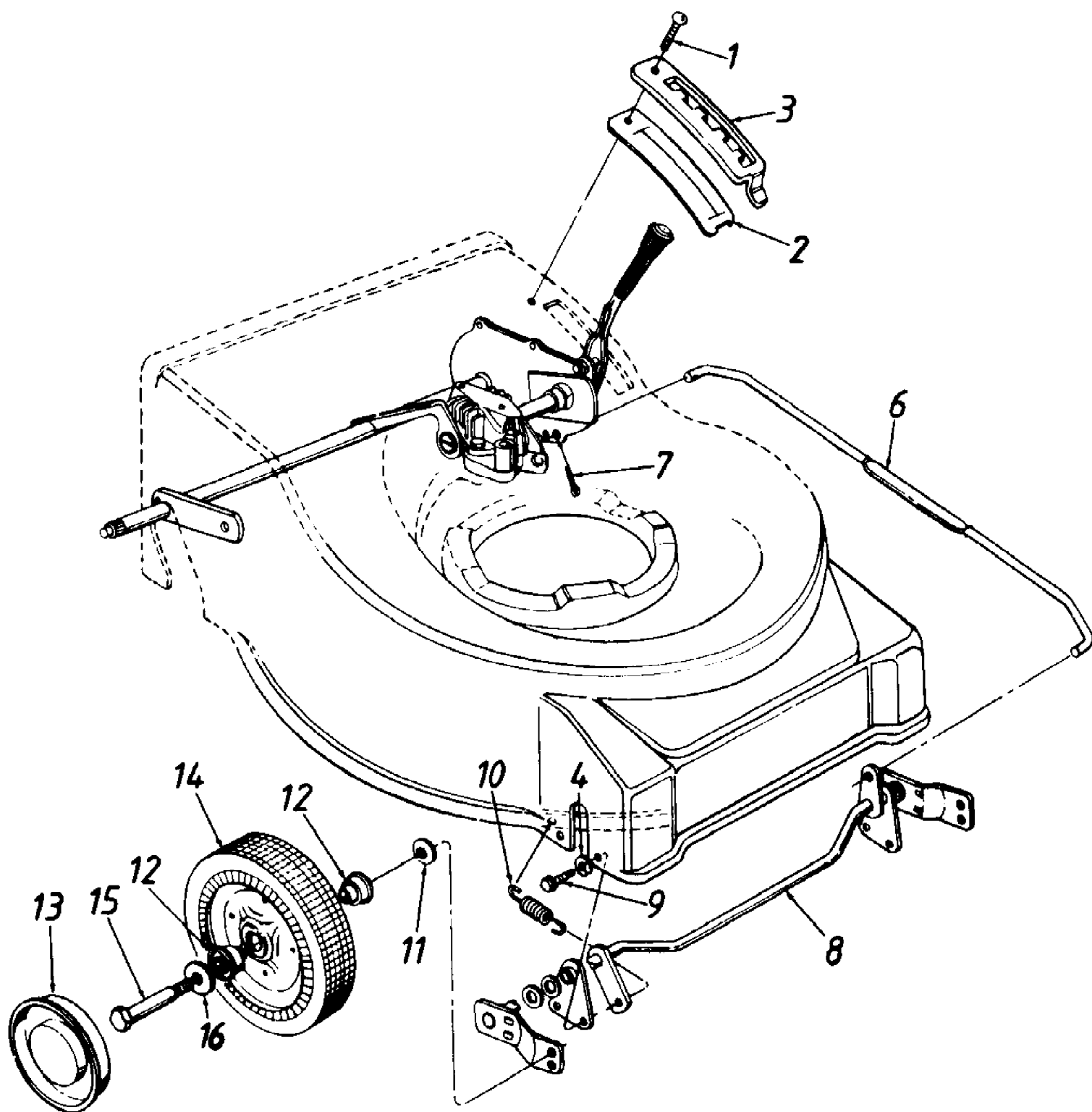


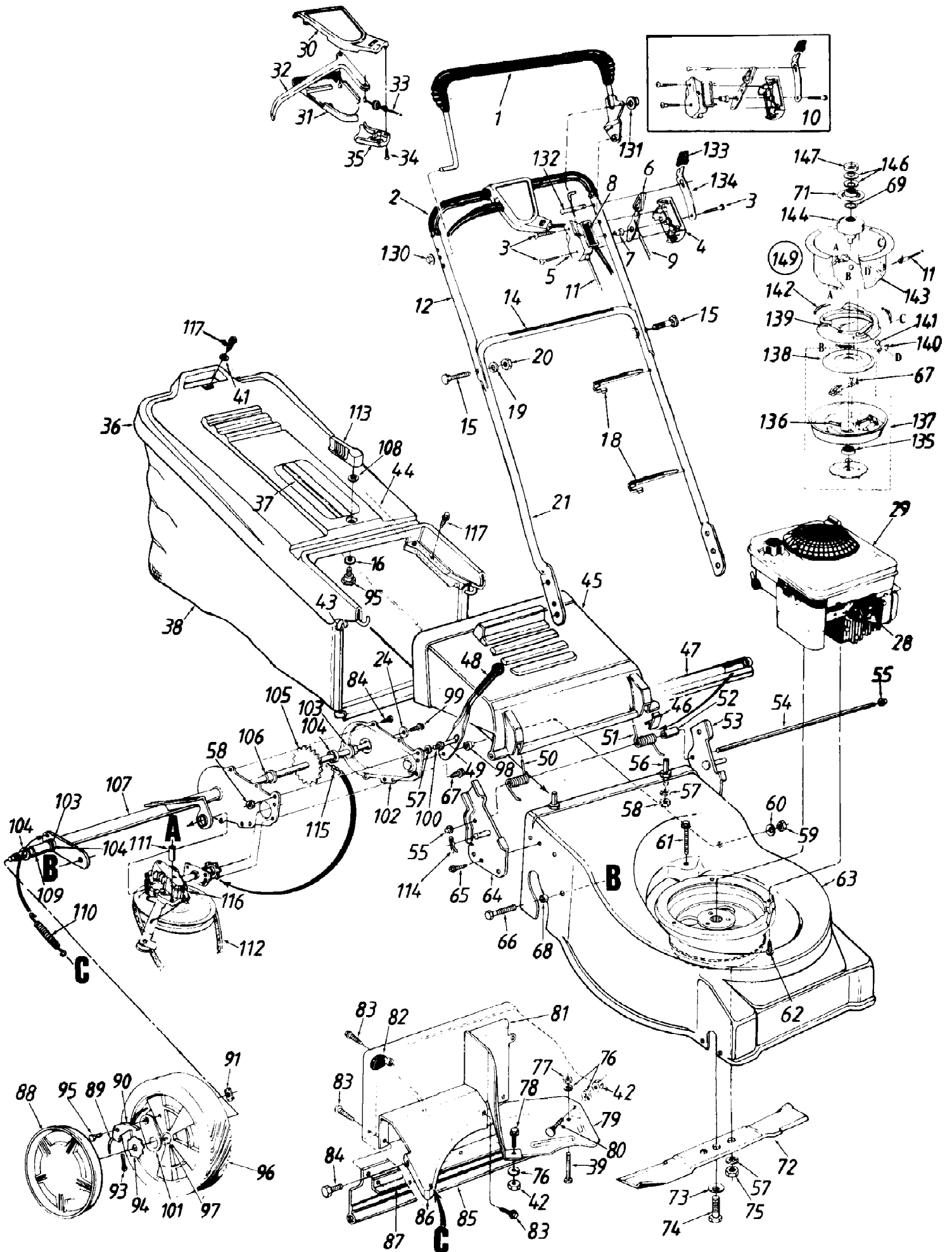
120-476B190 21" BBC SP Rd Mower (1990)
Height Adjustment Assembly



120-476B190 21" BBC SP Rd Mower (1990)
Height Adjustment Assembly

Page 2 of 8

Ref #	Part Number	Qty	S/P/F	Description
1	710-1017	1	/P	Torx Mach. AB-Tap Scr. 1/4 X .62" Lg.*
2	721-0216	1		Height Adjustment Support
3	17323	1		Height Adjustment Plate
4	736-0329	1	S	L-Wash. 1/4" I.D.*
6	747-0699	1		Height Adj. Connecting Rod
7	714-0507	1	S	Cotter Pin 3/32" Dia.
8	17022	1	S	Front Axle Ass'y.
9	710-0352	1	/P	Hex L-Wash. Hd. AB-Tap Scr. 1/4 X .88" Lg.
10	732-0589	1		Extension Spring 2.39" Lg.
11	736-0105	1	/P	Bell-Wash. .380" I.D. x .88"
12	741-0180	1	S	Flange Ball Bearing 1/2" I.D.
13	731-0981A	1	S	Hub Cap
14	734-1513A	1	S	Wheel Ass'y. Comp.-Front
15	738-0102	1	S	Shld. Bolt .498" Dia. x 1.45
16	736-0232	1	S	Wave Wash. .53" I.D. x .78"



120-476B190 21" BBC SP Rd Mower (1990)
Mower Assembly

Page 4 of 8

Ref #	Part Number	Qty	S/P/F	Description
1	731-0609	1		Control Handle Ass'y.
2	720-0225	1	S	Grip
3	710-0796	1	/P	Truss Mach. B-Tap Scr. #12 x 1.5" Lg.
4	731-0817A	1	/P	Control Panel Half
5	731-0816A	1		Clutch Panel Half
6	731-0972	1	S	Throttle Control Lever
7	731-0524	1		Control Disc Pin
8	777-5772	1		Control Label-Throttle
9	746-0672	1	S	Throttle Wire-58" Lg.
10	753-0431	1		Control Housing Comp.
11	746-0407	1	S	Control Cable-52" Lg.
12	749-0439A	1	S	Upper Handle
14	777-5775	1		Instruction Label-Handle
15	710-0671	1	S	CuNed Carriage Bolt 5/16-18 x 1.38" Lg.
16	736-0286	1	S	Bowed Washer
18	726-0240	1	S	Cable Tie
19	736-0119	1	S	L-Wash. 5/16" I.D.
20	712-0267	1	S	Hex Nut 5/16-18 Thd.
21	749-0504C	1	S	Lower Handle
24	736-0270	1	/P	Bell-Wash. .265" I.D. x .75"
28	735-0639	1	/P	Spark Plug Boot
29		1		Engine
30	731-1057	1	S	Control Cover Half-Upper
31	731-1058	1	S	Control Cover Half-Lower
32	731-0620	1	S	Control Lever
33	746-0711	1	S	Drive Cable-53" Lg.
34	710-0841	1	/P	Flat C-Sunk Hd. Tap Scr. #10 x .75" Lg.
35	731-1059	1	S	Cable Mtg. Cap
36	731-0857A	1	S	Hardtop Bag Cover
37	731-0856	1	S	Hardtop Handle
38	764-0252	1	S	Grass Bag
39	710-0166	1	S	Truss Mach. Scr. 1/4-20 x 1.0" Lg.
41	736-0463	1	S	FI-Wash. .281" I.D. x .62"
42	712-0287	1	S	Hex Nut 1/4-20 Thd.*
43	747-0693B	1	S	Front Catcher Frame
44	749-0736B	1		Rear Catcher Frame
45	731-0859	1	S	Chute Deflector
46	731-0970A	1	S	Deflector Plug
47	731-0858	1		Seal-Extrusion
48	720-0223	1		Grip
49	732-0580	1		Spring Lever
50	732-0578A	1	S	Torsion Spring-R.H.
51	732-0577A	1	S	Torsion Spring-L.H.
52	750-0566	1	S	Spacer .255" I.D.
53	12297A	1	S	Handle Brkt. Ass'y.-L.H.
54	747-0698	1	S	Hinge Pin 17.75" Lg.
55	726-0106	1	S	Cap Speed Nut
56	711-0805	1		Shld. Pin 3/8-24 x 1.43" Lg.
57	736-0169	1	S	L-Wash. 3/8" I.D.
58	712-0711	1	/P	Hex Jam Nut 3/8-24 Thd.
59	712-0296	1	S	Hex L-Nut 3/8-24 Thd.
60	736-0105	1	/P	Bell-Wash. .38" I.D. x .88"
61	710-0778			Tap Scr. 1/4-20 x 1.5" Lg.

120-476B190 21" BBC SP Rd Mower (1990)
Mower Assembly

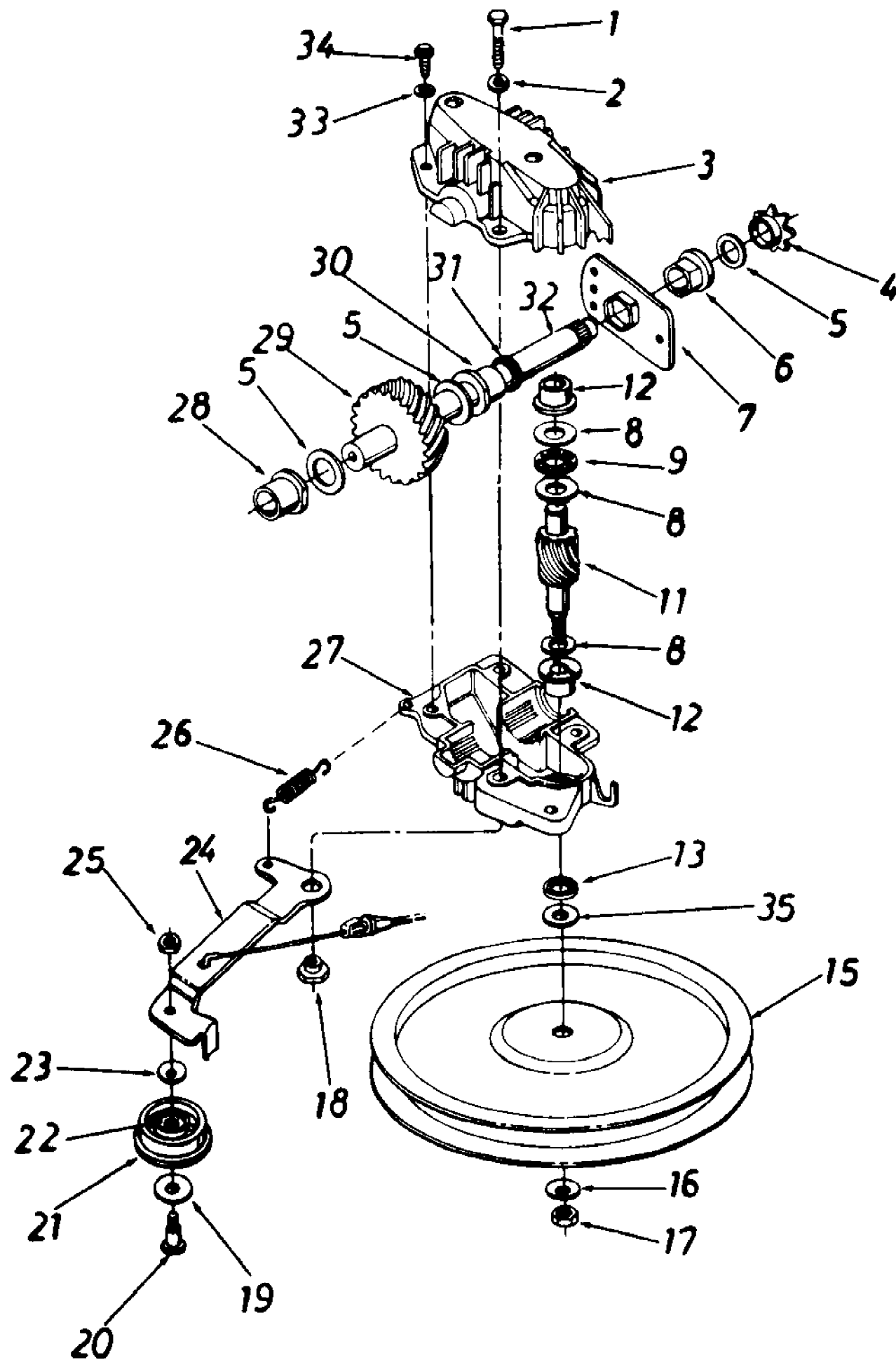
Page 5 of 8

Ref #	Part Number	Qty	S/P/F	Description
62	710-0654A	1	/P	Hex L-Wash. Hd. Scr. 3/8-16 x 1.0" Lg.
63	16997A	1		638/N 21" Deck Ass'y.
64	12296A	1	S	Handle Brkt. Ass'y.-R.H.
65	710-0892	1	S	Hex L-Wash. Hd. AB-Tap Scr. 1/4 x.62" Lg.
66	710-1006	1	S	Hex Wash. Hd. Tap Scr. 3/8-16 x .75" Lg.
67	710-0599	1	/P	Hex Wash. Hd. Tap Scr. 1/4-20 x .5" Lg.
68	750-0736	1	S	Spacer.383" I.D.
69	736-0409	1	S	Serrated Washer 1.0" I.D.
71	756-0503	1		Serrated Pulley Half
72	742-0306A	1	S	21" Blade
73	736-0412	1		Bell-Wash. .46" I.D. x .88"
74	710-1002	1	/P	Hex Bolt 7/16-20 x 2.0" Lg. (Gr. 5)
75	712-0328	1		Hex Nut 3/8-24 Thd. (Gr. 8)
76	736-0329	1	S	L-Wash. 1/4" I.D.*
77	712-0298	1	S	Hex Jam Nut 1/4-20 Thd.
78	710-0252	1	/P	Hex Bolt 1/4-20 x .85" Lg.
79	17013	1		Rear Belt Baffle
80	710-0167	1	/P	Carr. Bolt 1/4-20 x .50" Lg.
81	17006	1		Rear Panel Baffle
82	731-0931	1		Corner Plug
83	710-1017	1	/P	Torx Mach. AB-Tap Scr. 1/4 x .62" Lg.
84	710-0352	1	/P	Hex B-Tap Scr. 1/4 x .38" Lg.
85	731-0668	1	S	Rear Flap
86	17008	1	S	Rear Chute Baffle
87	14847	1	S	Retaining Strip
88	731-0981A	1	S	Hub Cap
89	10622B	1	S	Plastic Spring
90	748-0188B	1	S	Pawl.345" I.D.
91	712-0189	1	S	Weld Nut 1/4-20 Thd.
93	714-0115	1	S	Cotter Pin 1/8" Dia.
94	748-0318	1	S	Ratchet Wheel 1.62" O.D.
95	738-0137	1		Shld. Bolt .342" Dia. x .268"
96	734-1510A	1	S	Wheel Ass'y. Comp.-Rear
97	741-0486B	1		Bearing 1/2" I.D.
98	750-0624	1		Shld. Spacer .50" Dia.
99	710-0751	1	/P	Hex Bolt 1/4-20 x .62" Lg. (Gr. 5)
100	711-0805	1		Shld. Pin 3/8-24 x 1.43" Lg.
101	16855	1		Pawl Plate
102	17053A	1		Chain Cover Ass'y.
103	741-0324	1	S	Hex Flange Brg. .506" I.D.
104	736-0160	1	S	FI-Wash. .531" I.D. x .93"
105	738-0719A	1	S	Rear Axle Ass'y.
106	741-0522	1	S	Hex Flange Bearing
107	17009	1	S	Chain Axle Ass'y.
108	736-0498	1	/P	Internal L-Wash. 1/4" I.D.
109	748-0190	1	/P	Spacer.513" I.D.
110	732-0481	1	S	Extension Spring 3.8" Lg.
111	750-0589	1	S	Spacer.325" I.D.
112	754-0346	1	S	V-Belt
113	720-0224	1	S	Grass Catcher Locking Knob
114	714-0104	1	S	Internal Cotter Pin 5/16" Dia.
115	713-0353	1	S	#48 Chain 50" Pitch x 30 Links
116	717-0417			Comp. (See Breakdown)

120-476B190 21" BBC SP Rd Mower (1990)
Mower Assembly

Page 6 of 8

Ref #	Part Number	Qty	S/P/F	Description
117	710-0892	1	S	Hex L-Wash. Hd. AB-Tap Scr. 1/4 X .62" Lg.
130	726-0135	1	/P	Push Cap
131	726-0245	1		Push Cap
132	731-0607	1		Lock Pin .314" Dia. x 1.75"
133	720-0190	1	S	Spring Lever Knob
134	732-0401	1		Lockout Spring
135	741-0124	1	S	Ball Brg. .669" I.D. x 1.574"
136	732-0396	1		Comp. Spring .35" O.D. x 2.0" Lg.
137	14300A	1		Clutch Blade Housing Ass'y.
138	14304A	1		Clutch Cone
139	719-0283	1		Brake Cup Cone
140	731-0520	1		Ball Block
141	741-0326	1		Steel Ball 50" Dia.
142	732-0397	1		Ext. Spring 1.75" Lg.
143	14309B	1		Clutch Housing
144	756-0504	1		Fixed Pulley Adapter
146	736-0450	1	S	Bell-Wash. 1.01" I.D.
147	748-0332	1		Crankshaft Spacer
149	812-00001	1		Blade Brake Clutch Ass'y. ComD



120-476B190 21" BBC SP Rd Mower (1990)
Transmission Assembly

Page 8 of 8

Ref #	Part Number	Qty	S/P/F	Description
1	710-1062	1		Hex Bolt 1/4-20 x 1.25" Lg. w/Patch
2	736-0329	1	S	L-Wash. 1/4" I.D.
3	717-0418A	1	/P	Upper Hsg. Half
4	713-0400	1		#48 Sprocket 7 Tooth x 1/2 Pitch
5	736-0336	1	S	FI-Wash. 5/8" I.D. x .030
6	741-0413	1	S	Hex Flange Brg. .631" I.D.
7	16500A	1	S	Hex Bearing Cup
8	736-0314	1	S	Thrust Wash. .382" I.D. x .70" O.D.
9	741-0479	1		Thrust Bearing .375" I.D. x .812" O.D.
11	717-1216	1	S	11 Tooth Pinion Shaft
12	748-0208A	1	/P	Flange Bearing
13	721-0212	1		Oil Seal
15	756-0330A	1	/P/F	FI-Pulley 5.06" O.D.
16	736-0270	1	/P/F	Bell-Wash. .265" I.D. x 75"
17	712-0351	1	S/F	Hex L-Nut 1/4-28 L.H. Thd.
18	738-0440	1	F	Shld. Spacer.375" Dia. x .170
19	736-0344	1	S/F	FI-Wash. .390" I.D. x 1.0"
20	738-0826	1	S/F	Shld. Bolt .375" Dia. x .40"
21	756-0558	1	S/F	FI-Idler Plastic 1.50" Dia.
22	741-0556	1	S/F	Needle Brg. .375" x .31
23	736-0270	1	/P/F	Bell-Wash. .265" I.D. x 75"
24	17052A	1	/P/F	Idler Brk't. Ass'y.
25	712-0138	1	S/F	Hex Patch L-Nut 1/4-28 Thd.
26	732-0357	1	S/F	Extension Spring 1.12" Lg.
27	717-0419A	1	S	Lower Hsg. Half
28	741-0415	1	S	Flange Bearing .566 Dia.
29	717-0422A	1	S	33 Tooth Helical Gear
30	741-0414	1		Flange Bearing .629 Dia.
31	721-0213	1	/P	Oil Seal .625 Dia.
32	738-0607A	1	S	Gear Sprocket Shaft
33	736-0722	1	S	L-Wash. #10 I.D.
34	710-0436	1	S	Hex B-Tap Scr. #10 x .62"
35	736-0410	1	S/F	Hex Washer .26" x .88"
	717-0417B	1	S	Transmission Comp.